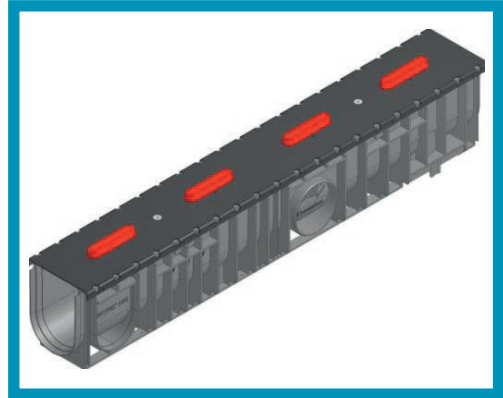


| Drainage System

SPORTFIX Slotted Channel

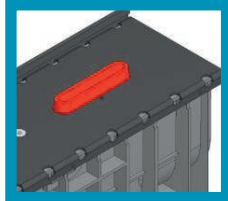
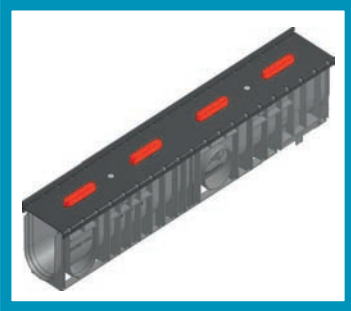


Slotted Channel SUPER

SPORTFIX Slotted Channel SUPER, nominal width 100,
Weight : 5.8 kg

Order No. : HA 7810

SPORTFIX Slotted Channel SUPER with Upstand

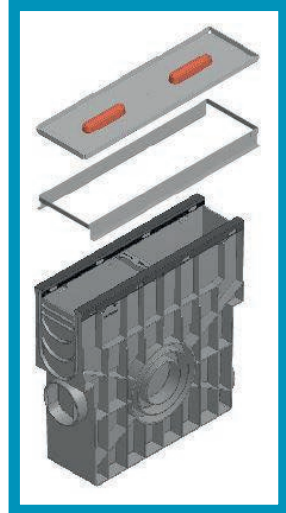


The upstand is used on the straight section with the lawn is connected to the channel.

SPORTFIX slotted channel SUPER with upstand, nominal width 100, Weight : 5.9 kg

Order No. : HA 7820

SPORTFIX Trash Box



SPORTFIX Trash Box Type Order No. HA 7830
Access Cover Order No. HA 7785

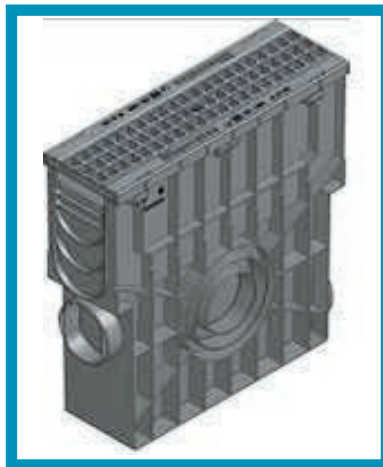
Order No. : HA 7830 + 7785

*Subject to technical alterations

SPORTFIX PRO 100


SPORTFIX PRO 100 Type 010 Channel with GUGI- Grating made of PA-GF, MW 15/25, Black, cl. B 125, Length 1m, locked, Weight : 4.655 kg

Order No. : HA 7510

SPORTFIX PRO 100 Trash Box


SPORTFIX PRO 100 Trash Box with mud bucket and GUGI-Grating made of PA-GF, MW 15/25, black, cl B 125, Length 0.5m, locked, Weight : 5.85 kg

Order No. : HA 7515

SPORTFIX Stand 100

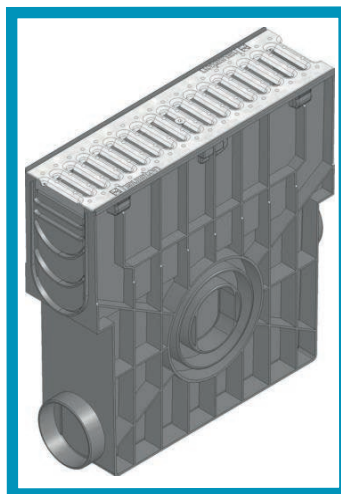
SPORTFIX STANDARD 100 Channel Type 010 with slotted grating, galvanised, trafficable, with locking device, length 1.0m, weight : 5.3 kg

Order No. : HA 7530

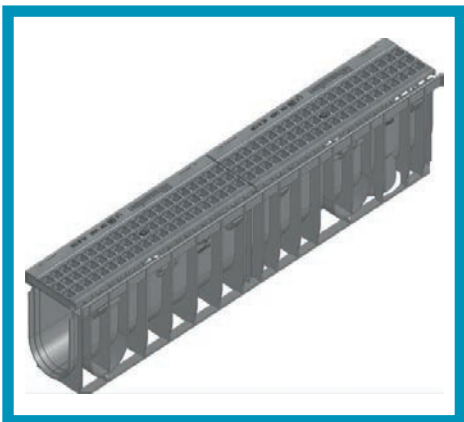
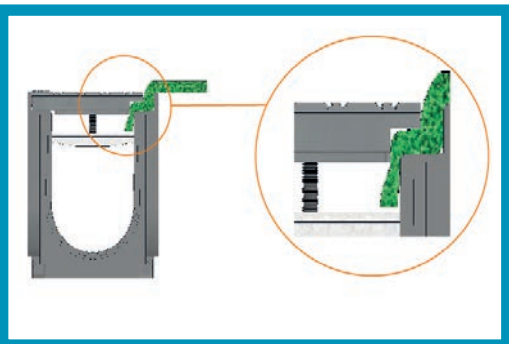
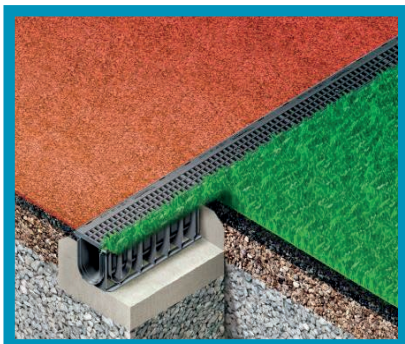

SPORTFIX STANDARD 100 Trash Box

SPORTFIX STANDARD 100 Trash Box with plastic bucket and slotted grating, galvanised, trafficable, with locking device, length 0.5m, Weight : 5.2 kg

Order No. : HA 7535



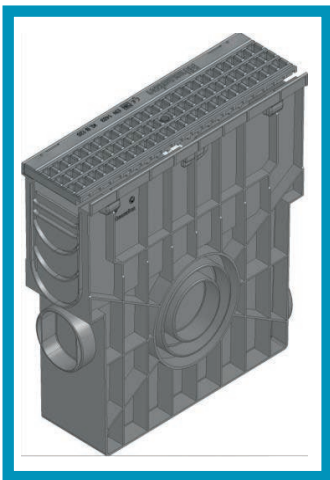
SPORTFIX Channel Type ROME



SPORTFIX Channel Type ROME

100 channel, type 010 SPORTFIX ROME I with GUGI-Grating
 Made of PA-GF, for artificial turf from 3 to 15mm Height, Weight : 4.7 kg

Order No. : HA 7862



SPORTFIX ROME I Trash Box

Trash Box Type ROME with GUGI-Grating
 Made of PA-GF, for artificial turf from 6 to 18mm Height, Weight : 5.4 kg

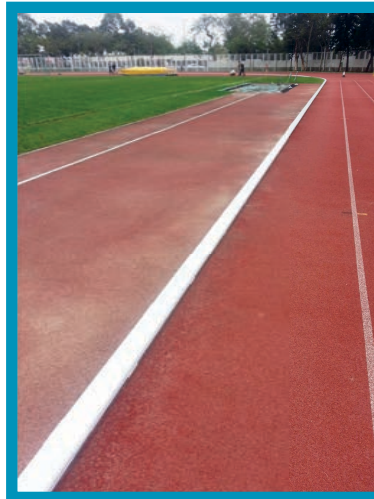
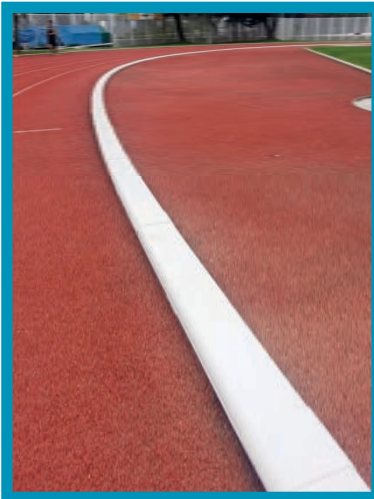
Order No. : HA 7870

*Subject to technical alterations

Drainage Cover "ALU"

The drainage cover is made from aluminium. It measures a width of 160 mm and a total height of 50 mm. The cover is white powder coated. On the bottom side there are angles attached to fit in the drainage channel. The drainage cover complies with the regulations of the IAAF.

Order No	Description	Colour	Usage	Measurement
30910	Drainage cover ALUTOP. Straight	Aluminium Surface	Open channel	160 x 40 x 1000 mm, Thickness 2mm
30920	Drainage cover ALUTOP. Straight	White Powder Coated	Open channel	143 x 40 x 1000 mm, Thickness 2mm
30930	Drainage cover ALUTOP. Straight	White Powder Coated	Open channel	143 x 40 x 1000 mm, Thickness 2mm
30940	Drainage cover ALUTOP. Straight	White Powder Coated	For slotted channel	160 x 40 x 1000 mm, Thickness 2mm
30950	Drainage cover ALUTOP. Straight	Aluminium Surface	For slotted channel	160 x 40 x 1000 mm, Thickness 2mm
30960	Drainage cover ALUTOP. Straight	Anodized Color	For slotted channel	160 x 40 x 1000 mm, Thickness 2mm
30970	Drainage cover ALUTOP. Straight	White Powder Coated	Open channel	143 x 40 x 1000 mm, Thickness 2mm



*Subject to technical alterations