

| Benches



3, 4 & 5 Row Benches

Our multi-use aluminium spectator stand is manufactured in the standard version with three levels of seats 3 metres long. There is ample space for up to 18 persons (6 persons per level). The different levels also guarantee a good view of the events taking place. The complete construction of our versatile spectator stand is manufactured from aluminium. The seating area and the steps are made from special aluminium profiles and are additionally anodised and treated to be non-slip. The stand comes in kit form which can be assembled (3 supporting legs, 3 benches, 2 foot rests and the necessary screws and bolts). The robust construction means not only that on-site assembly is quick, it also guarantees that the spectator stand is highly durable.

Order No. 130035

Transport wheel for Bleacher,
Made from Nylon Diameter 200 mm.

Order No	Material	Rows	Length
130039	Aluminium	3 Rows	2.4 m
130040	Aluminium	3 Rows	3 m
130050	Aluminium	3 Rows	4 m
130060	Aluminium	3 Rows	5 m
130070	Aluminium	4 Rows	3 m
130100	Aluminium	4 Rows	4 m
130110	Aluminium	4 Rows	5 m
130120	Aluminium	4 Rows	6 m
130130	Aluminium	5 Rows	3 m
130140	Aluminium	5 Rows	4 m
130150	Aluminium	5 Rows	5 m
130160	Aluminium	5 Rows	6 m
130039	Aluminium	3 Rows	2.4 m
130040	Aluminium	3 Rows	3 m
130050	Aluminium	3 Rows	4 m
130060	Aluminium	3 Rows	5 m



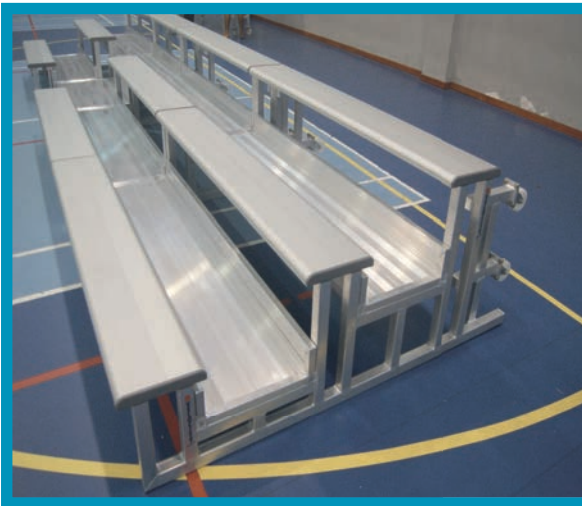
*Subject to technical alterations



Bleacher MOBILE TOP

Our "MOBILE TOP" bleacher can be used unlimited - in- and outdoors for every kind of activity. Within a short time 50 seats become available! By simple add-on of the sets the seat capacity can be increased. Another advantage is the little storage room. Due to a special moving system the single bleacher parts can be put into each other, so the whole system only requires a storage area of approx. 4 m x 2 m. The seats and walkways are made from special aluminium profiles and are additionally anodised and treated to be non-slip. One complete set consists of 5 blocks of different lengths (one of which is a staircase). Total length 8.75 m. Depth 1.85 m. Height 0.85 m.

Order No. 130250





3 Row Bench "FLIP UP"

Our new 3 Row Bench FLIP UP is made from special aluminium profile with anti-slip step surface. Easy and fast set up. Good alternative for stationary installed bleachers. Easy to remove anywhere anytime. Weight approx. 110 KG only. Stable and absolutely weatherproof construction. Usable for indoors and outdoors.

Order No. 139600

*Subject to technical alterations



Swedish Bench (ALULINE)

The Swedish bench is fully made from special aluminium profiles. The seat bench is anodized. The width of the bench is 30 cm. The height of the bench is 30 cm. The bench is available in various lengths.

Order No. 130180	Length 3.00 m
Order No. 130190	Length 4.00 m
Order No. 130170	Length 5.00 m
Order No. 130200	Length 6.00 m



Aluminium Bench (PARIS)

The locker bench is made from special aluminium profiles. All profiles are designed with rounded edges. The seating profile measures an extra-large width of 300 mm. It measures a height of 45 cm. The bench is welded in one piece. It is also equipped with a shoe tray. The item is powder coated. There are assorted colours to choose from. The bench is available in different lengths:

Order No. 130500	Length 2.00 m
Order No. 130510	Length 3.00 m
Order No. 130520	Length 4.00 m
Order No. 130530	Length 5.00 m
Order No. 130540	Length 6.00 m
Order No. 130550	Length on request



3, 4 & 5 Row Benches "Vindico I" with Plastic seat and staircase

Our multi-use aluminium spectator stand is manufactured in the standard version of 5 seats per row and 3 metres long. There is ample space for up to 20 persons for our 4 row bench (5 persons per level). The different levels also guarantee a good view of the events taking place. The complete construction of our versatile spectator stand is manufactured from aluminium. The seating area is supplied with low back rest plastic seat and the steps are made from special aluminium profiles and are additionally anodised and treated to be non-slip. The stand comes in kit form which can be assembled. The robust construction means not only that on-site assembly is quick, it also guarantees that the spectator stand is highly durable.

Order No	Material	Rows	Length
138000	Aluminium	3 Rows	3 m
138010	Aluminium	3 Rows	4 m
138020	Aluminium	3 Rows	5 m
138030	Aluminium	3 Rows	6 m
138040	Aluminium	4 Rows	3 m
138050	Aluminium	4 Rows	4 m
138060	Aluminium	4 Rows	5 m
138070	Aluminium	4 Rows	6 m
138080	Aluminium	5 Rows	3 m
138090	Aluminium	5 Rows	4 m
138100	Aluminium	5 Rows	5 m
138110	Aluminium	5 Rows	6 m

* **Order No.138000** Transport wheel for Bleacher, Made from Nylon Diameter 200 mm.

Other dimensions on request.

5 Row Benches "Vindico II" with Plastic Seat and Staircase



The five row bench "Vindico II" with plastic seats and staircase is made of aluminium structure and plastic seats. The bench provides five rows of seating and has a total capacity of 31 seats. The bench measures a length of 3.1 m. The seats are made of UV protected plastic. The stairs are made from a special aluminium profile. The profiles are anodized and have an anti-slip surface. The system is dismantling and can be easily assembled at any site.

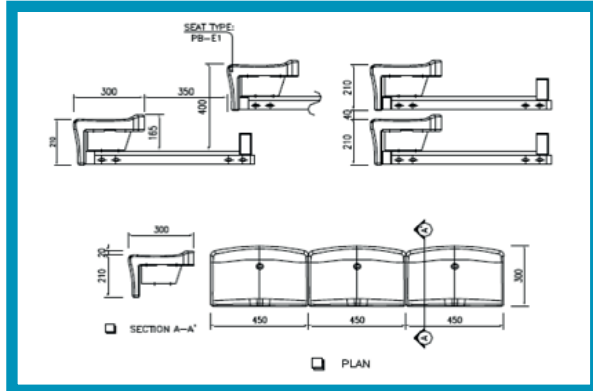
Order No. 139000

Transport wheel for Bleacher. Made from Nylon Diameter 200 mm.

Order No.139035

Other dimensions on request

*Subject to technical alterations



Retractable Seating

BENCH SHELL : HIGH DENSITY POLYETHYLENE BLOW-MOLD.

Deck Frame : Steel deck frame is base on platform that will cover loading of spectators. It is composed of front girder (60 x 40x 2.3mmT), rear girder (125 x 75 x 3.2mmT) and intermediate steel connector (60 x 40 2.3mmT), which is strong enough to maximum load of spectators on the platform and space of every intermediate steel connector less than 500mm distance for safety & stable and is welded properly to front & rear girder. Front channel steel sheet (200 x 80 7.5mmT), of first row is for connecting the operation device i.e. Electrical operation units. Deck Frame can be connected parallel direction another one and fixed the Handrails one side. The size of deck frame is 5250mm width and 1800mm (2row) depth follow to type of scales required.

Platform : The deck frame welded firmly shall be covered with 18mm thickness plywood for sound absorption. The platform shall be also finished by carpet with wooden colour or other various colour with section. Manufactures standard size of platform is same as deck frame.

Finish Of Under structure : Main steel parts of under structure, i.e. Deck Frame, Support Column & Braces etc. shall be painted with alkyd primer (1st Coat) and finish urethane paint (2nd coat) for rust and dust free under the cruel environment, such as seaside, swimming pool, etc..

Manual Pulling Unit : Manual pulling unit included for one (1) or two (2) person and two (2) wheels (PVC/rubber Ø 3" x 1¼"T) and shall be connected into the hole on front face or first row. Its dimension will be available to change follow to length of row and height of blocks.



Grand Stand

Our spectator stand is manufactured in the standard version with five levels of seats 3.4 metres long and 2.70 metres width. There is ample space for up to 30 persons (6 persons per level). The different levels also guarantee a good view of the events taking place. The complete construction of our versatile spectator stand is manufactured from aluminium. The seating area and the steps are made from special aluminium profiles and are additionally treated to be non-slip. The plastic seat is without backrest.

The stand comes in kit form which can be easy assembled. The robust construction means not only that on-site assembly is quick; it also guarantees that the spectator stand is highly durable.

Standard dimensions of the stands: length: 2.70 m x 3.4 m

Grand stand with stairs, without roof top including seat for 25 people, made of aluminium, 2.70 x 3.70 m.
Order No. 130000

Grand stand with stairs, with roof top including seat for 25 people, made of aluminium, 2.70 x 3.70 m.
Order No. 130010

Grand stand without stairs, without roof top including seat for 30 people, made of aluminium, 2.70 x 3.70 m.
Order No. 130020

Grand stand with stairs, with roof top including seat for 25 people, made of aluminium, 2.70 x 3.70 m.
Order No. 130030

Locker Bench "ALUEX"



Sturdy aluminium construction in standard length of 2m. Shapely design of square powder coated aluminium special profile. Shoe rack) made of thick-walled aluminium tube. The Seat Laths, Backrests are manufactured from powder coated aluminium special profile. Available in different colours.

Order No. 130410

- Double coat hooks
- Legs feature floor protecting plastic endings for levelling
- Size: Length 200 cm or customized length up to 270 cm,
- Seat Depth 33.6 cm,
- Seating Height 45 cm, Overall Height (incl. coat rails): 165 cm.

For safety reason we recommend to fix the locker bench to the wall!

Available in different colours.

*Subject to technical alterations

